

Marine electric radiators

RAEL range



**BUREAU
VERITAS**

The Rael range of electric radiators, Bureau Veritas certified, are specially designed for marine applications.

Supplied in 24V DC, 230V or 400V AC, they can be equipped with adjustable thermostat.

Bureau Veritas certificate of type approval
n°02153/E0 BV



■ Standard range

Description	Item code	Supply voltage	Power (W)	Thermostat	Type of case	Weight
24 Vdc range						
RAEL 24-500	SEEL000572	24 Vdc	500	Without	CFR1	8 kg
RAEL 24-500 TH	SEEL001021	24 Vdc	500	With	CFR1	8 kg
230 Vac range						
RAEL 220-500	SEEL000573	230 Vac	500	Without	CFR1	8 kg
RAEL 220-500 TH	SEEL000574	230 Vac	500	With	CFR1	8 kg
RAEL 220-750	SEEL001006	230 Vac	750	Without	CFR2	9 kg
RAEL 220-750 TH	SEEL000836	230 Vac	750	With	CFR2	9 kg
RAEL 220-1000	SEEL000575	230 Vac	1000	Without	CFR3	10 kg
RAEL 220-1000 TH	SEEL000576	230 Vac	1000	With	CFR3	10 kg
RAEL 220-1500	SEEL000577	230 Vac	1500	Without	CFR4	12 kg
RAEL 220-1500 TH	SEEL000578	230 Vac	1500	With	CFR4	12 kg
RAEL 220-2000	SEEL000579	230 Vac	2000	Without	CFR5	15 kg
RAEL 220-2000 TH	SEEL000580	230 Vac	2000	With	CFR5	15 kg
400 Vac range						
RAEL 380-500	SEEL001020	400 Vac	500	Without	CFR1	8 kg
RAEL 380-500 TH	SEEL000837	400 Vac	500	With	CFR1	8 kg
RAEL 380-750	SEEL000838	400 Vac	750	Without	CFR2	9 kg
RAEL 380-750 TH	SEEL001007	400 Vac	750	With	CFR2	9 kg
RAEL 380-1000	SEEL000581	400 Vac	1000	Without	CFR3	10 kg
RAEL 380-1000 TH	SEEL000582	400 Vac	1000	With	CFR3	10 kg
RAEL 380-1500	SEEL000583	400 Vac	1500	Without	CFR4	12 kg
RAEL 380-1500 TH	SEEL000584	400 Vac	1500	With	CFR4	12 kg
RAEL 380-2000	SEEL000585	400 Vac	2000	Without	CFR5	15 kg
RAEL 380-2000 TH	SEEL000586	400 Vac	2000	With	CFR5	15 kg

Marine electric radiators

RAEL range

Main technical specifications

Power supply :

According to model:

- 24 VDC +/- 15%
- 230 VAC +/- 15% single-phase
- 400 VAC +/- 15% single-phase

Frequency for the AC models:

- 47 à 63 Hz

Power:

From 500W to 2000W

Control:

ON/OFF bipolar switch on the left hand side.

Models with thermostat: adjustment knob on the left hand side.

Presentation :

2 mm steel sheet metal manufacturing.

Shielded heating resistor

Excellent resistance to shocks, vibrations and Marine environment.

Protective undercoat

Paint: Black frame RAL9011 and white front side RAL9001.

Stainless steel screws.

Discretion: its rounded shape allows an easy integration in modern ships.

Protections :

In compliance with maritime rules.

Inaccessibility to live components

Waterproof and stainless heating resistors.

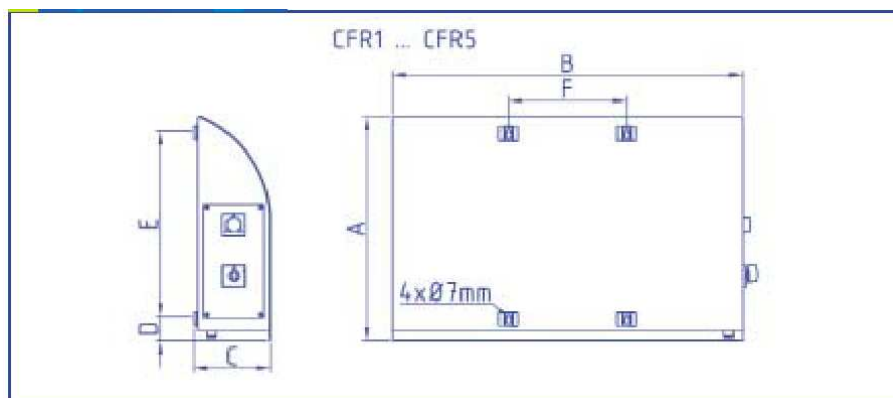
Connection of cables through cable glands.

Standards:

Bureau Véritas certificate of type approval n°02153/E0B

In compliance with paragraphs 18096-6 and 7 of the information note NI 125-Operation authorization delivered by the French Ministry of Marine Affairs.

Mechanical characteristics:



Type of case	Dimensions in mm			Centres distance in mm		
	A	B	C	D	E	F
CFR1	360	470	160	52	230	250
CFR2	360	580	160	52	230	360
CFR3	360	700	160	52	230	480
CFR4	560	580	160	52	430	360
CFR5	560	700	160	52	430	480

FC-RAEL1-AN-D

The information contained in this publicity leaflet are not of a contractual nature. ENAG reserves the right to amend the technical details of its products without advance notice. Please consult us before installing the units.

ENAG S.A.S. - 31 rue Marcel Paul - Z.I. Kerdroniou Est - 29000 Quimper - FRANCE

Tel : + 33 2 98 55 51 99 - Fax : + 33 2 98 55 51 67 - E-mail : contact@enag.fr - Site : www.enag.fr